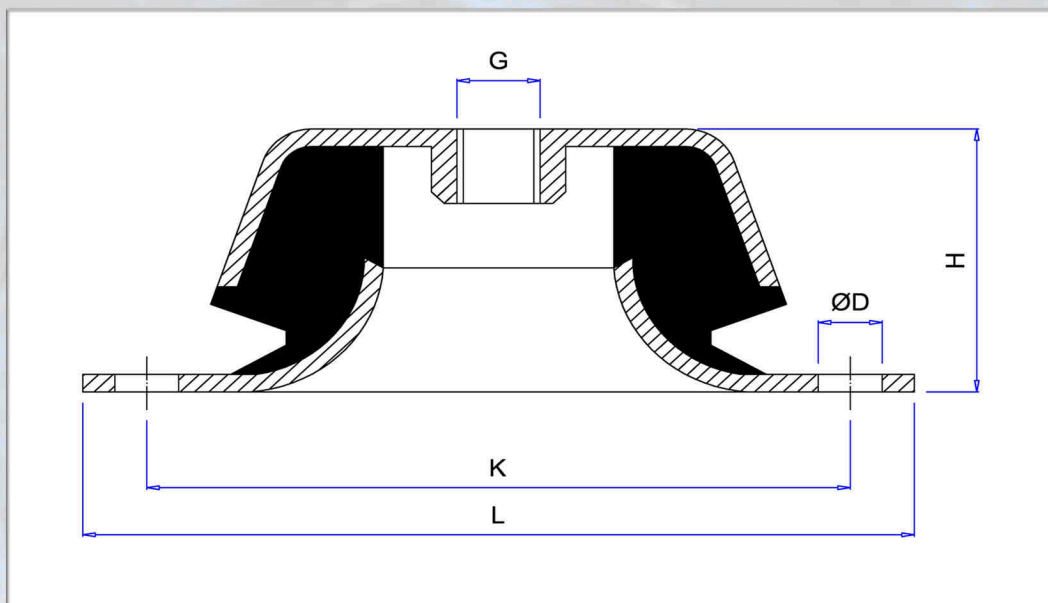
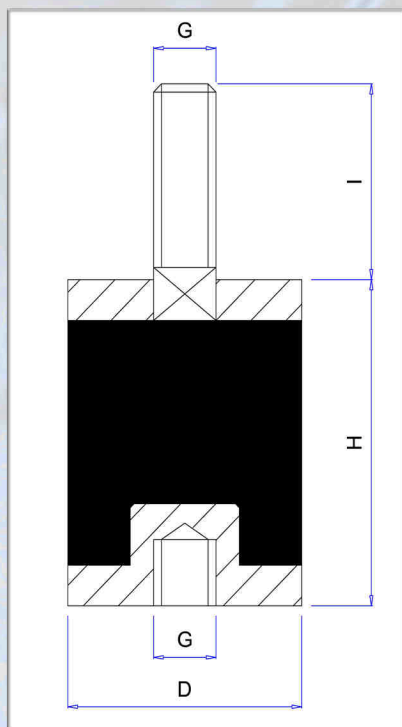


SUPPORTI ANTIVIBRANTI VIBRATION ABSORBERS



Tipo Type	ØD mm	D mm	G mm	H mm	I mm	K mm	L mm
13-16	---	25	M6	20	25	---	---
20-22-25-28	---	30	M8	20	25	---	---
31-35-40-45	---	40	M10	20	30	---	---
50-56-63	8.2	---	M10	30	---	85	100
71-80-90	10.2	---	M16	45	---	110	130
100-110-125	16.2	---	M24	50	---	150	180